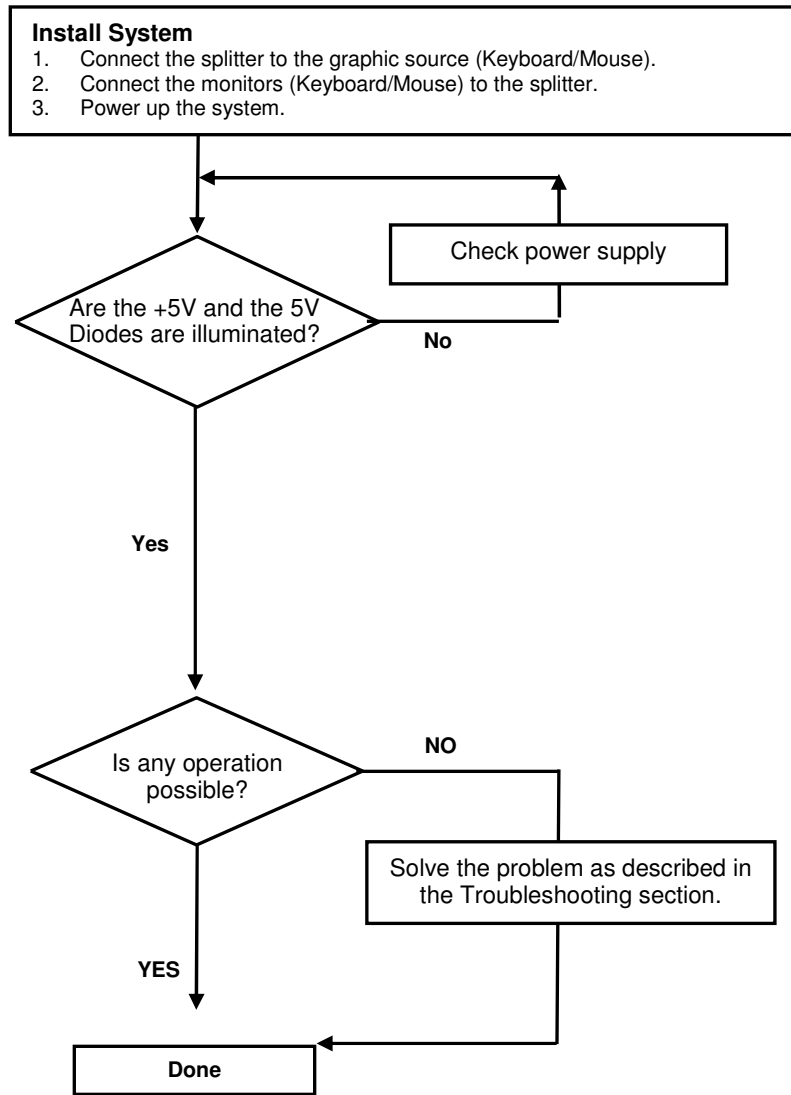


1 Quick Setup

This section briefly describes how to install your 2port VGA-Splitter. Unless you are an experienced user, we recommend that you follow the full procedures described in the rest of this manual.



2 Installation

For first-time users, we recommend that you carry out a test placement, confined to a single room, before commencing full installation. This will allow you to identify and solve any cabling problems, and experiment with the VGA-Splitter more conveniently.

2.1 Package Contents

You should receive the following items in your extender package:

- 2port VGA-Splitter
- VGA CPU-cable 1,8m (HD15 male DB9 female)
- 1 x 12V DC universal PSU
- 1 x power cord
- Manual (This Quick Setup)

If anything is missing, please contact Technical Support (see Appendix D – Technical Support).

2.2 System Setup

To install your 2port VGA-Splitter system:

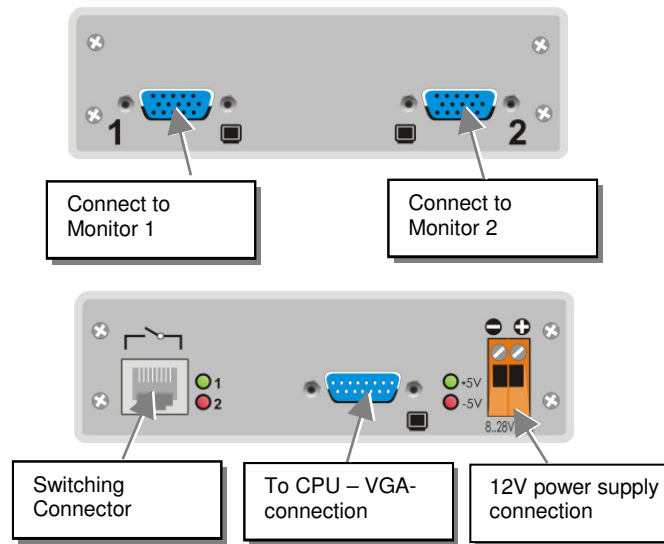
1. Switch off all devices.
2. Connect monitors to the VGA-Splitter system.
3. Connect the CPU to the VGA-Splitter, using the supplied CPU cable
4. Connect the 12V power supplies to the splitter unit.



Only use the power supply originally supplied with this equipment or a manufacturer-approved replacement.

5. Power up the system.

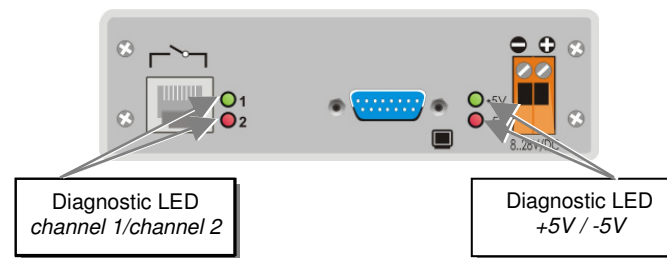
2.3 Connectors



2.4 Diagnostics and Adjustments

Each 2port VGA-Splitter is fitted with an indicator LED device for +5V, -5V and an indicator LED for channel 1/channel 2. All LED's are located on the side of the power supply.

The location of the LEDs is shown below:



Diagnostic- LEDs at the VGA-Splitter

LED	Zustand	Bedeutung
+5V/-5V (green/red LED)	Off	Device not ready
	On	Device ready
Channel 1 /Channel 2 (green/red LED)	Off	Channel is not enabled
	On	Channel is enabled

3 Adjustments

For most applications, you shouldn't need to do any adjustments to set up your 2port VGA-Splitter. For some applications, you may need to do custom designed settings.

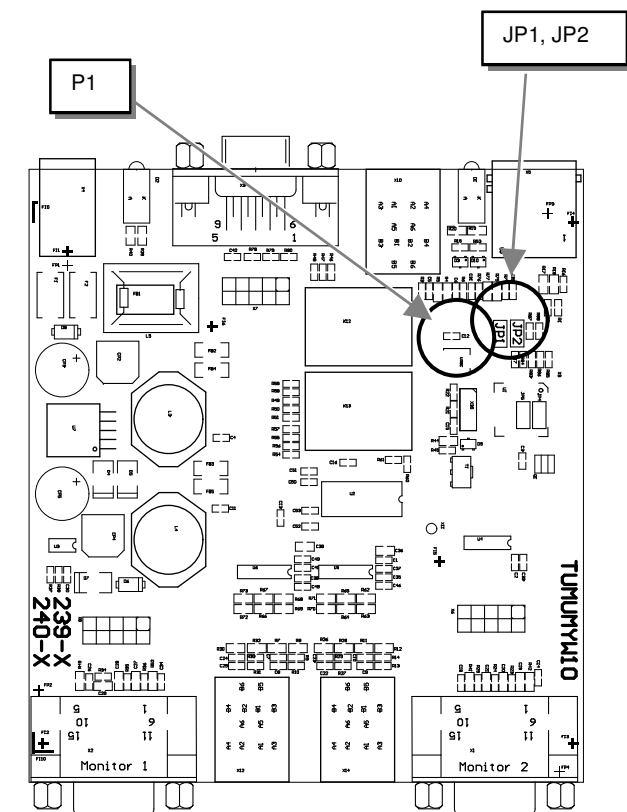
To do custom designed settings you have to open the device. Unscrew the screws at the top of both sides. Carefully displace the upper shell of the case.



1.1 Jumper Location in the Unit

After unscrewing and opening the upper shell, please place the device facing the output connectors to your side.

The main PCB then will look like this:



You will find the jumper/potentiometer as shown above.

This is to certify that, when installed and used according to the instructions in this manual, together with the specified cables and the maximum cable length <3m, the Units:

K240-2F (240-2F)

are shielded against the generation of radio interferences in accordance with the application of Council Directive 89/336/EEC as well as these standards:

EN 55022:	1999	Class B
EN 55024:	1999	
IEC 61000-4-2:	2001	
IEC 61000-4-3:	2001	
IEC 61000-4-4:	2001	
EN 61000-3-2	2001	
EN 61000-3-3	2002	

The device was tested in a typical configuration with PC.



Oberteuringen, Wednesday, July 5th 2006

The management

**2port
VGA-Splitter**

**Type:
K240-2F**

(Quick Setup)

3.1 Setup Possibilities on the device

The following adjustments are possible:

3.1.1 Monitor behavior

- Both monitors are enabled permanently
- The monitor is enabled which is enabled using the dry contact

3.1.2 Adjustment of the monitor (JP1, JP2)

= free = stuck

JP1	JP2	Mode	Operating behavior
		3	Monitor: On permanently

3.1.3 Switching by using a dry contact:

Switching by signals using a dry contact is identified automatically. For a proper function JP1 and JP2 must be stuck. Switching happens while setting the suitable pin on GND. This monitor is switched on. Connecting both contacts simultaneously will switch on both monitors. The simplest external switching is to realize by using a change-over switch.

4 Troubleshooting

There isn't a picture

Check the power supply connection.

Internal damage of the power supply: Are the LED's for the power supply illuminated?

You have chosen the "mode 0" (monitor is on where the keyboard is enabled) and the clearance time is expired.

EUROPEAN UNION DECLARATION OF CONFORMITY